

# E Series

## Water Sensing & Particulate Removing



**PCW-E10 and PCW-E30**  
Replacement Element

FOR DISPOSAL INFORMATION PLEASE CONTACT YOUR NEAREST EPA OFFICE.

### Specifications

- The PetroClear® model PCW-E10 utilizes a 10 micron (nominal) cellulose super absorbent media to remove particulate and sense water in neat gasoline, Diesel fuels, Biodiesel and ULSD (Ultra Low Sulfur Diesel), kerosene, lube oils, fuel oils, and synthetic fluids. Removes particulate 10 microns (nominal) or larger.
- The PetroClear® model PCW-E30 utilizes a 30 micron (nominal) cellulose super absorbent media to remove particulate and sense water in neat gasoline, Diesel fuels, Biodiesel, ULSD (Ultra Low Sulfur Diesel), kerosene, lube oils, fuel oils, and synthetic fluids. Removes particulate 30 microns (nominal) or larger.
- The maximum flow rate for PetroClear® models PCW-E10 and PCW-E30 is 30 gpm (114 lpm). Maximum operating pressure is 50 psid (3.4 bar). Collapse pressure is 150 psid (10.3 bar). Maximum operating temperature is 250°F (139°C).
- PetroClear® models PCW-E10 and PCW-E30 replacement elements fit the Cim-Tek® Centurion Series housings and other brands with a 5" x 9" element.

### Benefits

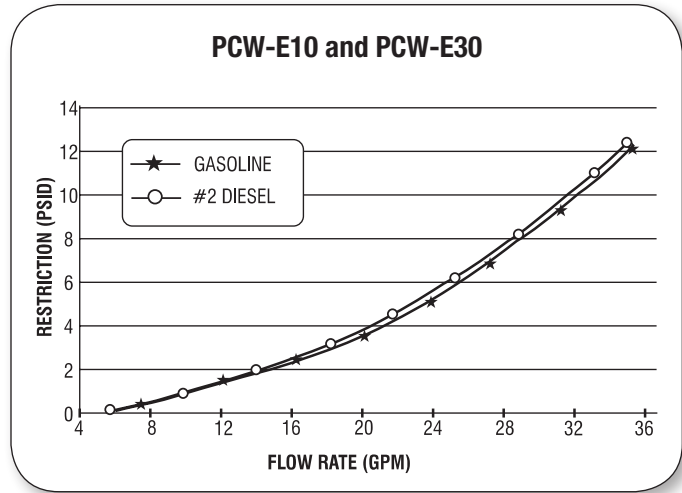
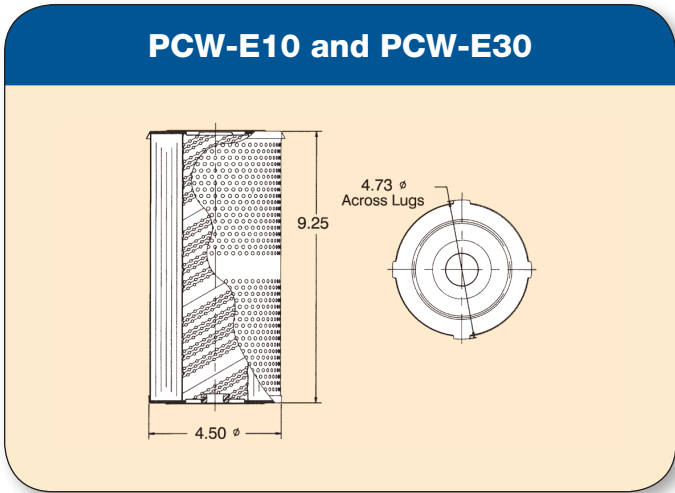
- PetroClear® models PCW-E10 and PCW-E30 are particulate removing and water sensing replacement element type filters designed for aftermarket, cost efficient particulate filtration of fuels at high volume fueling locations such as truck stops, card lock sites, and industrial and commercial applications.
- The PCW-E10 and PCW-E30 are designed to remove particulate and to sense both free and emulsified water from neat gasoline, diesel, Biodiesel, ULSD (Ultra Low Sulfur Diesel), Kerosene and fuel oils.
- PetroClear® models PCW-E10 and PCW-E30 are particulate and water sensing replacement element type filters. These filters are designed to sense water, both free and emulsified, and slow flow as an indicator of the presence of water in neat gasoline. This filter will not sense or react to water in Ethanol blended fuels.
- PetroClear® models PCW-E10 and PCW-E30 will not detect phase separation should it occur in Ethanol blended fuels.
- PetroClear® model PCE-E-10 Filter offers efficient 10 micron (nominal) particulate removal with water sensing.
- PetroClear® model PCW-E30 Filter offers efficient 30 micron (nominal) particulate removal with water sensing.

**PetroClear® Filters are NOT to be used in Aviation Fuel Applications!**

**NOTE:** If you experience frequent filter changes, it is recommended that you have fuel samples analyzed to determine the source of contamination, such as water, dirt, rust, bacteria, phase separation, etc.

# PCW-E10 and PCW-E30

## For Aftermarket Fueling Applications



Model	PCW-E10	PCW-E30
Filter Type	Element	Element
Media Type	*Cellulose with Super Absorbent Media	*Cellulose with Super Absorbent Media
Micron Rating	10 Micron (nominal)	30 Micron (nominal)
Diameter	4.50"	4.50"
Height	9.25"	9.25"
Flow Rate	30 gpm (114 lpm)	30 gpm (114 lpm)
Gasket Material	Buna N	Buna N
Collapse (Min.)	150 psid (10.3 bar)	150 psid (10.3 bar)
Max. Operating Temp.	250°F (139°C)	250°F (139°C)

\*Water Sensing in Neat Gasoline and Particulate Removing