

DEF-H Series

Diesel Exhaust Fluid Dispenser Filter Housing



FOR DISPOSAL INFORMATION PLEASE CONTACT YOUR NEAREST EPA OFFICE.

Benefits

- PetroClear® models DEF-HSS1.0N and DEF-HSS1.0B Diesel Exhaust Fluid Dispenser Filter Housings feature heavy duty 316L stainless steel construction for maximum durability.
- 316L stainless steel offers improved resistance to corrosion in some applications.
- The PetroClear® models DEF-HSS1.0N and DEF-HSS1.0B Diesel Exhaust Fluid Dispenser Filter Housings' ring nut closure facilitates quick cartridge change-outs.
- The PetroClear® model DEF-HSS1.0N Diesel Exhaust Fluid Dispenser Filter Housing includes 1" NPT inlet/outlet connections.
- The PetroClear® model DEF-HSS1.0B Diesel Exhaust Fluid Dispenser Filter Housing includes 1" BSPT inlet/outlet connections.
- Models DEF-HSS1.0N and DEF-HSS1.0B gasket material is ethylene-propylene rubber (EPR).
- Models DEF-HSS1.0N and DEF-HSS1.0B feature spring-loaded knife edge seals that provide positive sealing for filter element*.
- Models DEF-HSS1.0N and DEF-HSS1.0B include mounting bracket kit and wrench.

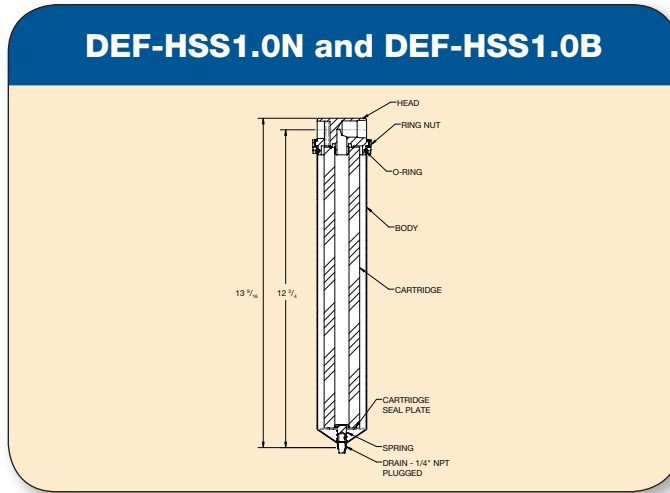
Specifications

- The PetroClear® models DEF-HSS1.0N and DEF-HSS1.0B Diesel Exhaust Fluid Dispenser Filter Housings' Head/Shell are constructed of 316L stainless steel.
- The PetroClear® models DEF-HSS1.0N and DEF-HSS1.0B Diesel Exhaust Fluid Dispenser Filter Housing drains are 316L stainless steel plugs.
- The PetroClear® models DEF-HSS1.0N and DEF-HSS1.0B Diesel Exhaust Fluid Dispenser Filter Housing rings are nickel-plated brass.
- The PetroClear® models DEF-HSS1.0N and DEF-HSS1.0B Diesel Exhaust Fluid Dispenser Filter Housing gaskets are ethylene-propylene rubber (EPR).
- The maximum flow rate for PetroClear® models DEF-HSS1.0N and DEF-HSS1.0B is 7 GPM. The maximum operating pressure is 300 psid at 200°F.

* PetroClear® model DEF-E5 and DEF-E10 Diesel Exhaust Fluid Dispenser Filter Elements are sold separately.

DEF-HSS1.0N and DEF-HSS1.0B

Diesel Exhaust Fluid Dispenser Filter Housing



Model	DEF-HSS1.0N	DEF-HSS1.0B
Filter Type	Housing	Housing
Housing Material	316L SS	316L SS
Gasket Material	EPR	EPR
Housing Height	13 9/16"	13 9/16"
Element Height*	10"	10"
Element Diameter*	2.67"	2.67"
Connection	1" NPT	1" BSPT
Maximum Operating Pressure	300 psig at 200°F	300 psig at 200°F

PetroClear® models DEF-E5 and DEF-E10 Diesel Exhaust Fluid Dispenser Filter Element sold separately.