

# 507 Series

## Water Sensing & Particulate Removing



FOR DISPOSAL INFORMATION PLEASE CONTACT YOUR NEAREST EPA OFFICE.

### Benefits

- PetroClear® model 50710W is a particulate removing and water sensing spin-on filter designed for use on fuel and hydraulic suction and return line applications.
- PetroClear® model 50710W is a particulate and water sensing spin-on filter. These filters are designed to sense water, both free and emulsified, and slow flow as an indicator of the presence of water in diesel fuels and hydraulic fluids.
- PetroClear® model 50710W filter offers efficient 10 micron (nominal) particulate removal and senses both free and emulsified water in neat gasoline, diesel and hydraulic fluids.
- Will not detect phase separation in Ethanol blended fuels.
- Compatible with Gasoline, Ethanol blended fuels and Diesel fuels, including Biodiesel.
- Textured paint coating helps ensure a simple, mess-free installation and removal process.

**PetroClear® Filters are NOT to be used in Aviation Fuel Applications!**

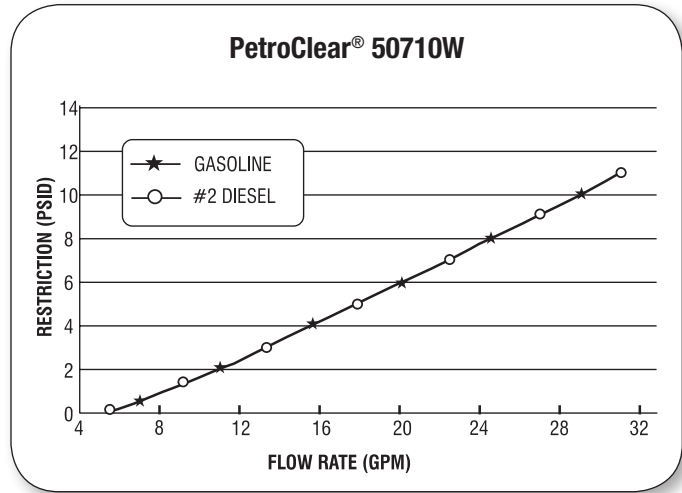
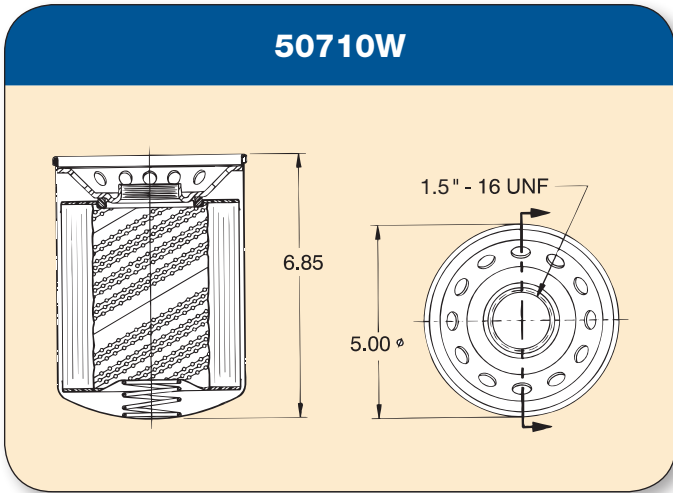
### Specifications

- The PetroClear® model 50710W utilizes a 10 micron (nominal) cellulose media to remove particulate from gasoline and diesel fuels including all Ethanol blended gasoline, Biodiesel and ULSD (Ultra Low Sulfur Diesel). Removes particulate 10 microns (nominal) or larger, with water sensing capability in neat gasoline and diesel fuels.
- The maximum flow rate for PetroClear® model 50710W is 40 gpm (151 lpm). Maximum operating pressure is 50 psid (3.4 bar). Collapse pressure is 150 psid (10.3 bar). Maximum operating temperature is 250°F (139°C).
- PetroClear® model 50710W utilizes a standard 1.5"-16 UNF mounting thread ref. (1" flow) required for most spin-on filter adapters used in aftermarket and/or high-flow applications.
- An adapter is available for model 50710W in aluminum. These adapters are available in both NPT or BSP inlet/outlet threads. Inlet/outlet sizes are available in 3/4" and 1" single adapters. This adapter is also available in a dual style with both 1.5" and 2" inlet/outlet (2"-4" bolt SAE flange combination).
- Each filter is packaged with a separate gasket that will fit most standard brands of adapter filter mounting bases. Install gasket in adapter's groove by placing in groove at 3 to 4 places and then smoothing gasket between those points. Lubricate with light oil. NOTE: Gasket does not mount on filter!
- If using this filter in a hydraulic/lube oil application, verify that you are applying the filter on a spin-on filter head that has a by-pass valve.

**NOTE:** If you experience frequent filter changes, it is recommended that you have fuel samples analyzed to determine the source of contamination, such as water, dirt, rust, bacteria, phase separation, etc.

# 507 Series

## Water Sensing & Particulate Removing



Model	50710W
Filter Type	Spin-On
Media Type	Cellulose with super absorbent media
Micron Rating	10 Micron (nominal)
Diameter	5.00"
Height	6.85"
Mounting Thread	1.5" – 16 UNF
Flow Rate	40 gpm (151 lpm)
Flow	1" flow
Shell Thickness	0.020
Gasket Material	Buna N
Collapse (Min.)	150 psid (10.3 bar)
Burst (Min.)	200 psi (13.5 bar)
Max. Operating Temp.	250°F (139°C)

Adapters Available	Catalog	Description
	1.00 N1.5-16	1" NPT Inlet/Outlet Ports, 1.5" – 16 UNF (aluminum)
	1.50 N1.5-16	1-1/2" NPT Inlet/Outlet Ports, 1.5" – 16 UNF (aluminum)
	D2.0 N1.5-16	2" NPT Inlet/Outlet Ports, 1.5" – 16 UNF (aluminum)
<i>The 4-bolt SAE flange combination allows both 1-1/2" &amp; 2" inlet/outlet combinations.</i>		
	1.00 B1.5-16	1" BSP Inlet/Outlet Ports, 1.5" – 16 UNF (aluminum)