

411-AD Series

Water Sensing & Particulate Removing



41110W-AD and 41130W-AD

Extended Life For High-Flow
Fuel Dispensers

FOR DISPOSAL INFORMATION PLEASE CONTACT YOUR NEAREST EPA OFFICE.

Benefits

- The 41110W-AD and 41130W-AD are designed to remove particulate and to sense both free and emulsified water from neat gasoline, diesel, Biodiesel, ULSD (Ultra Low Sulfur Diesel), Kerosene, fuel oils. This filter will not react to phase separation in alcohol blended gasolines by slowing flow.
- PetroClear® models 41110W-AD and 41130W-AD are particulate and water sensing spin-on filters. These filters are designed to sense water, both free and emulsified, and slow flow as an indicator of the presence of water in neat gasoline and Diesel fuels.
- PetroClear® model 41110W-AD filter offers efficient 10 micron (nominal) particulate removal and senses both free and emulsified water from neat gasoline or diesel fuel.
- PetroClear® model 41130W-AD filter offers efficient 30 micron (nominal) particulate removal and senses both free and emulsified water in neat gasoline and diesel fuels.
- Textured paint coating helps ensure a simple, mess-free installation and removal process.
- UL® recognized
- Will not detect phase separation in Ethanol blended fuels.

PetroClear® Filters are NOT to be used in Aviation Fuel Applications!

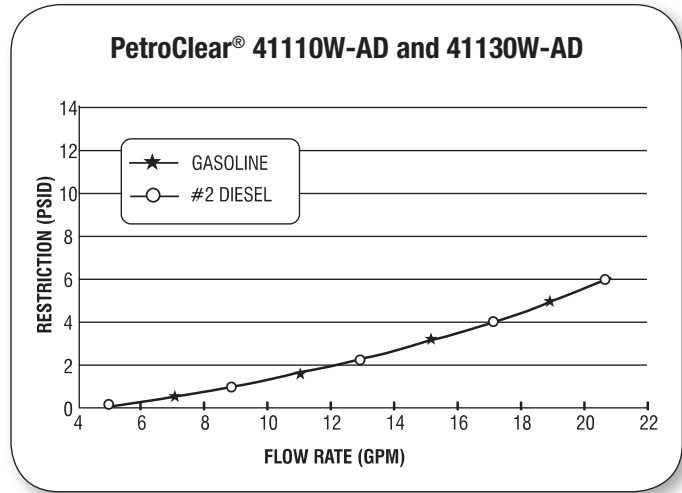
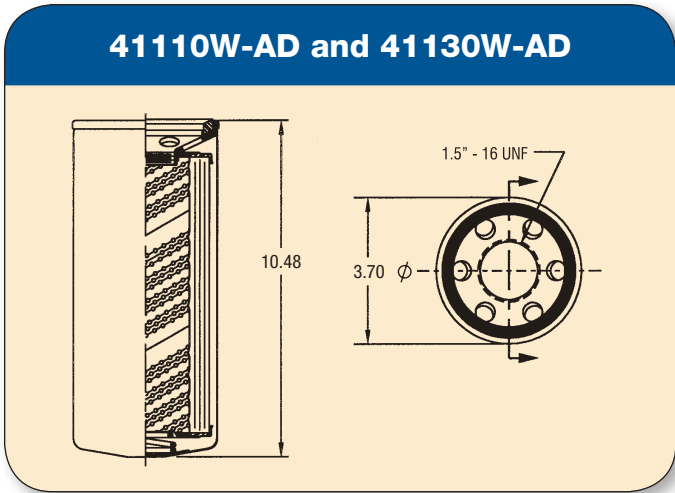
Specifications

- The PetroClear® model 41110W-AD utilizes a 10 micron (nominal) cellulose media to remove particulate from gasoline and diesel fuels including Biodiesel and ULSD (Ultra Low Sulfur Diesel). Removes particulate 10 microns (nominal) or larger, with water sensing capability in neat gasoline and diesel fuel.
- The PetroClear® model 41130W-AD utilizes a 30 micron (nominal) cellulose media to remove particulate from gasoline and diesel fuels including Biodiesel and ULSD (Ultra Low Sulfur Diesel). Removes particulate 30 microns (nominal) or larger, with water sensing capability in neat gasoline and diesel fuel.
- Once PetroClear® models 41110W-AD and 41130W-AD have absorbed 12.8 ounces (378 mil) of water from neat gasoline or diesel fuel, flow will be noticeably slow.
- The maximum flow rate for PetroClear® models 41110W-AD and 41130W-AD is 25 gpm (94.6 lpm). Maximum operating pressure is 50 psid (3.4 bar). Collapse pressure is 150 psid (10.3 bar). Maximum operating temperature is 250°F (139°C).
- PetroClear® models 41110W-AD and 41130W-AD utilize a standard 1.5" – 16 UNF mounting thread ref. (1" flow) required for most spin-on filter Adapters used in aftermarket and/or high-flow applications such as in Gilbarco, Wayne, Bennett, Tokheim and other major manufacturers' dispensers.
- Adapters are available for models 41110W-AD and 41130W-AD in aluminum. These single Adapters are available in 3/4" and 1" NPT and BSP inlet/outlet threads.

NOTE: If you experience frequent filter changes, it is recommended that you have fuel samples analyzed to determine the source of contamination, such as water, dirt, rust, bacteria, phase separation, etc.

411-AD Series

Water Sensing & Particulate Removing



Model	41110W-AD	41130W-AD
Filter Type	Spin-On	Spin-On
Media Type	*Cellulose with Super Absorbent Media	*Cellulose with Super Absorbent Media
Micron Rating	10 Micron (nominal)	30 Micron (nominal)
Diameter	3.70"	3.70"
Height	10.48"	10.48"
Mounting Thread	1.5" – 16 UNF	1.5" – 16 UNF
Flow Rate	25 gpm (94.6 lpm)	25 gpm (94.6 lpm)
Flow	1" flow	1" flow
Shell Thickness	0.020	0.020
Gasket Material	Buna N	Buna N
Collapse (Min.)	150 psid (10.3 bar)	150 psid (10.3 bar)
Burst (Min.)	500 psi (34.5 bar)	500 psi (34.5 bar)
Max. Operating Temp.	250°F (139°C)	250°F (139°C)

*Water Sensing & Particulate Removing

Available Adapters

Part/Model Number	Description
.75 N1.5-16AD	3/4" NPT Inlet/Outlet Ports, 1.5" – 16 UNF (aluminum)
1.0 N1.5-16AD	1" NPT Inlet/Outlet Ports, 1.5" – 16 UNF (aluminum)
.75 B1.5-16AD	3/4" BSP Inlet/Outlet Ports, 1.5"-16 UNF (aluminum)
1.0 B1.5-16AD	1" BSP Inlet/Outlet Ports, 1.5"-16 UNF (aluminum)