

409 Series

Agricultural Application Particulate Removing



40910PA and 40930PA

Extended Life
Agricultural Particulate Removal

FOR DISPOSAL INFORMATION PLEASE CONTACT YOUR NEAREST EPA OFFICE.

Benefits

- PetroClear® models 40910PA and 40930PA are particulate removing spin-on filters designed to remove particulate from gasoline, diesel, Biodiesel, ULSD (Ultra Low Sulfur Diesel), Kerosene and fuel oils.
- The 40910PA and 40930PA are designed to remove particulate from gasoline, Ethanol blended gasoline, diesel, Biodiesel, ULSD (Ultra Low Sulfur Diesel), Kerosene and fuel oils.
- PetroClear® models 40910PA and 40930PA are particulate spin-on filters. These filters are designed for particulate removal only and WILL NOT REACT TO WATER IN NEAT GASOLINE OR DETECT PHASE SEPARATION IN ETHANOL BLENDED GASOLINE.
- PetroClear® model 40910PA filter offers efficient 10 micron (nominal) particulate removal.
- PetroClear® model 40930PA filter offers efficient 30 micron (nominal) particulate removal.
- Compatible with Biodiesel, Kerosene, Fuel Oil, ULSD (Ultra Low Sulfur Diesel), and Diesel fuels and Ethanol blended fuels.

PetroClear® Filters are NOT to be used in Aviation Fuel Applications!

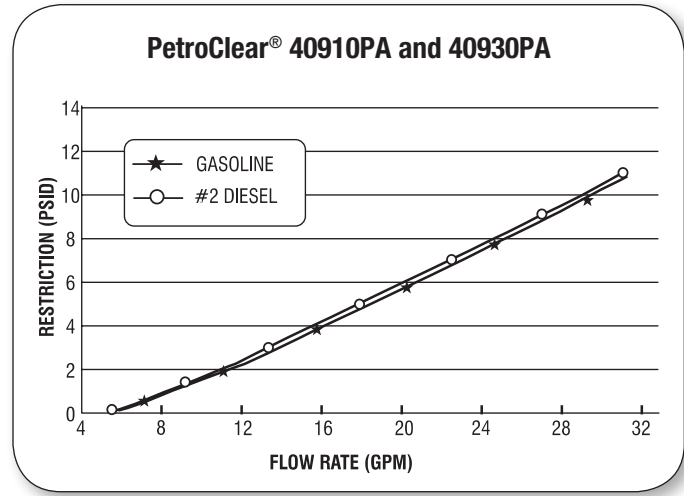
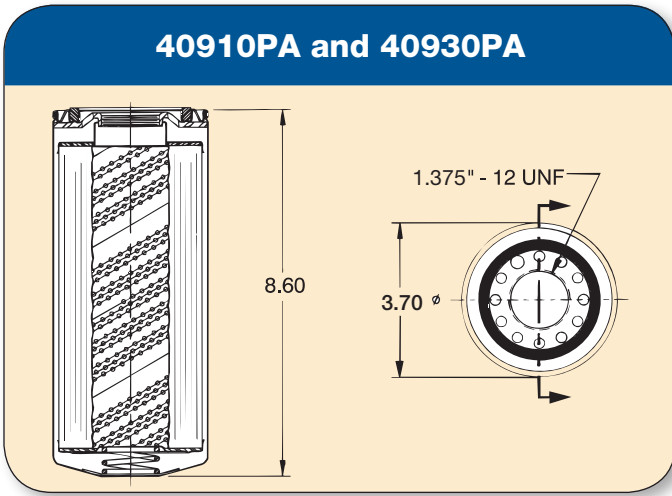
Specifications

- The PetroClear® model 40910PA utilizes a 10 micron (nominal) cellulose media to remove particulate from gasolines and diesel fuels including all Ethanol blended gasoline, Biodiesel and ULSD (Ultra Low Sulfur Diesel). Removes particulate 10 microns (nominal) or larger.
- The PetroClear® model 40930PA utilizes a 30 micron (nominal) cellulose media to remove particulate from gasolines and diesel fuels including all Ethanol blended gasoline, Biodiesel and ULSD (Ultra Low Sulfur Diesel). Removes particulate 30 microns (nominal) or larger.
- The maximum flow rate for PetroClear® models 40910PA and 40930PA is 25 gpm (94.6 lpm). Maximum operating pressure is 50 psid (3.4 bar). Collapse pressure is 150 psid (10.3 bar). Maximum operating temperature is 250°F (139°C).
- PetroClear® models 40910PA and 40930PA utilize a standard 1.375"-12 UNF mounting thread ref. (1" flow) required for most spin-on filter adapters used in aftermarket and agricultural applications.
- PetroClear® models 40910PA and 40930PA utilize an epoxy coated interior shell to eliminate oxidation (rusting), which can cause pinhole leaks from the inside of the filter shell.
- Adapters are available for models 40910PA and 40930PA in cast iron. These single adapters are available in 1" NPT inlet/outlet threads.

NOTE: If you experience frequent filter changes, it is recommended that you have fuel samples analyzed to determine the source of contamination, such as water, dirt, rust, bacteria, phase separation, etc.

40910PA and 40930PA

Agricultural



Model	40910PA	40930PA
Filter Type	Spin-On	Spin-On
Media Type	*Cellulose	*Cellulose
Micron Rating	10 Micron (nominal)	30 Micron (nominal)
Diameter	3.70"	3.70"
Height	8.60"	8.60"
Mounting Thread	1.375" - 12 UNF	1.375" - 12 UNF
Flow Rate	25 gpm (94.6 lpm)	25 gpm (94.6 lpm)
Flow	1" flow	1" flow
Shell Thickness	0.020	0.020
Gasket Material	Buna N	Buna N
Collapse (Min.)	150 psid (10.3 bar)	150 psid (10.3 bar)
Burst (Min.)	250 psi (17.2 bar)	250 psi (17.2 bar)
Max. Operating Temp.	250°F (139°C)	250°F (139°C)

*Particulate Removing

Catalog	Description
Adapters Available 1.00 N1.375-12 1" NPT Inlet/Outlet Ports, 1.375" -12 UNF (cast iron)	