

408 SERIES

Particulate Removing Agricultural with Drain Valve



40810PA-DV & 40830PA-DV

Agriculture with Petcock Type Drain Valve
(Not for Commercial Dispenser Use)

FOR DISPOSAL INFORMATION PLEASE CONTACT YOUR NEAREST EPA OFFICE.

Specifications

- The PetroClear® model 40810PA-DV utilizes a 10 micron (nominal) cellulose media to remove particulate from gasoline and diesel fuels including all Ethanol blended gasolines, Biodiesel and ULSD (Ultra Low Sulfur Diesel). Removes particulate 10 microns (nominal) or larger.
- The PetroClear® model 40830PA-DV utilizes a 30 micron (nominal) cellulose media to remove particulate from gasoline and diesel fuels including all Ethanol blended gasolines, Biodiesel and ULSD (Ultra Low Sulfur Diesel). Removes particulate 30 microns (nominal) or larger.
- The maximum flow rate for PetroClear® models 40810PA-DV and 40830PA-DV is 25 gpm (94.6 lpm). Maximum operating pressure is 50 psid (3.4 bar). Collapse pressure is 150 psid (10.3 bar). Maximum operating temperature is 250°F (139°C).
- PetroClear® models 40810PA-DV and 40830PA-DV utilize a standard 1.375"-12 UNF mounting thread ref. (1" flow) required for most spin-on filter Adapters used in aftermarket and agricultural applications.
- PetroClear® models 40810PA-DV and 40830PA-DV utilize a petcock type drain valve located in the bottom of the filter for convenient drainage of collected water.
- Models 40810PA-DV and 40830PA-DV utilize a silicone treated media designed for applications where excessive water contamination in fuel can be dispensed and passed into consumers' vehicles.
- Adapters are available for models 40810PA-DV and 40830PA-DV in cast iron. These single Adapters are available in 1" NPT inlet/outlet threads.

Benefits

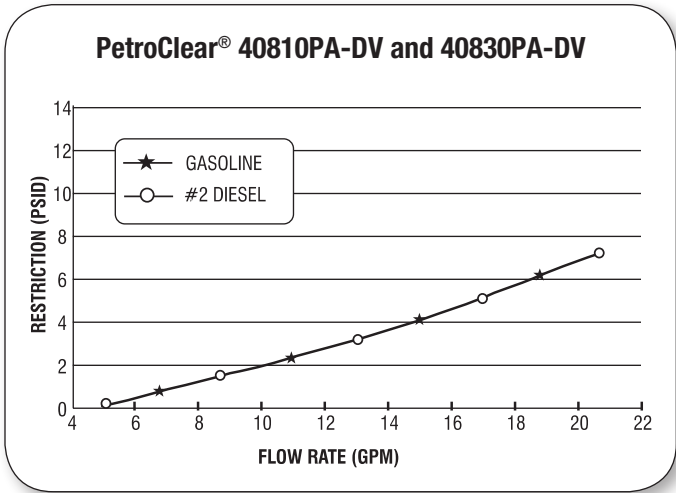
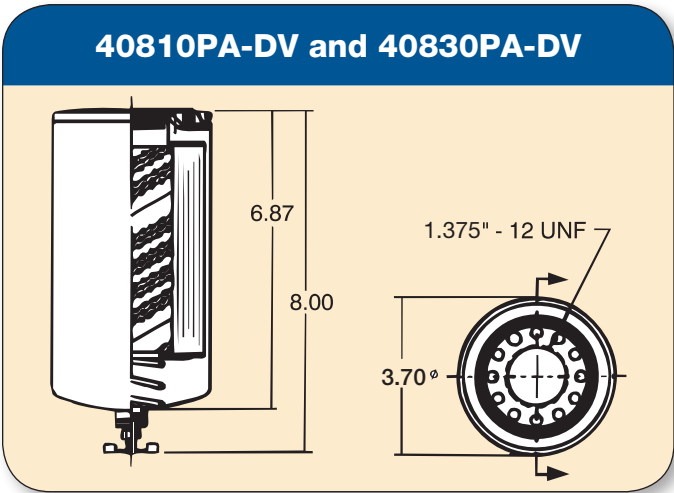
- PetroClear® models 40810PA-DV and 40830PA-DV are particulate removing spin-on filters designed for aftermarket cost efficient particulate filtration from gasoline, Ethanol blended gasolines, diesels, Biodiesel, ULSD (Ultra Low Sulfur Diesel), Kerosene and fuel oils.
- PetroClear® models 40810PA-DV and 40830PA-DV are particulate spin-on filters. These filters are designed for particulate only and WILL NOT REACT TO WATER IN GASOLINE OR DIESEL FUEL OR TO PHASE SEPARATION IN ALCOHOL BLENDED GASOLINES BY SLOWING FLOW.
- PetroClear® model 40810PA-DV filter offers efficient 10 micron (nominal) particulate removal.
- PetroClear® model 40830PA-DV filter offers efficient 30 micron (nominal) particulate removal.
- Compatible with all alcohol and non-alcohol blended fuels and all types of diesels.
- Not approved for use on retail fuel dispensers.

PetroClear® Filters are NOT to be used in Aviation Fuel Applications!

NOTE: If you experience frequent filter changes, it is recommended that you have fuel samples analyzed to determine the source of contamination, such as water, dirt, rust, bacteria, phase separation, etc.

40810PA-DV and 40830PA-DV

Agriculture with Petcock Type Drain Valve



Model	40810PA-DV	40830PA-DV
Filter Type	Spin-On	Spin-On
Media Type	*Cellulose with Super Absorbent Media	*Cellulose with Super Absorbent Media
Micron Rating	10 Micron (nominal)	30 Micron (nominal)
Diameter	3.70"	3.70"
Height	6.87"	6.87"
Mounting Thread	1.375" - 12 UNF	1.375" - 12 UNF
Flow Rate	25 gpm (94.6 lpm)	25 gpm (94.6 lpm)
Flow	1" flow	1" flow
Shell Thickness	0.020	0.020
Gasket Material	Buna N	Buna N
Collapse (Min.)	150 psid (10.3 bar)	150 psid (10.3 bar)
Burst (Min.)	250 psi (17.2 bar)	250 psi (17.2 bar)
Max. Operating Temp.	250°F (139°C)	250°F (139°C)

*Silicone Treated & Particulate Removing

Catalog

Description

Adapters Available. 1.00 N1.375-12 1" NPT Inlet/Outlet Ports, 1.375"-12 UNF (cast iron)