

408 Series

Particulate Removing with Drain Valve



40810P-DV and 40830P-DV

With Petcock Type Drain Valve
(Not for Commercial Dispenser Use)

FOR DISPOSAL INFORMATION PLEASE CONTACT YOUR NEAREST EPA OFFICE.

Benefits

- PetroClear® models 40810P-DV and 40830P-DV are particulate removing spin-on filters designed to remove particulate from neat gasoline, Ethanol blended gasolines, diesels, Biodiesel, ULSD (Ultra Low Sulfur Diesel), Kerosene and fuel oils.
- PetroClear® models 40810P-DV and 40830P-DV are particulate spin-on filters. These filters are designed for particulate removal only and will not react to water in gasoline or diesel fuel nor to phase separation in alcohol blended gasolines by slowing flow.
- PetroClear® model 40810P-DV filter offers efficient 10 micron (nominal) particulate removal.
- PetroClear® model 40830P-DV filter offers efficient 30 micron (nominal) particulate removal.
- Compatible with neat gasoline Ethanol blended fuels and diesels including Biodiesel.
- Not approved for use on retail fuel dispensers.

PetroClear® Filters are NOT to be used in Aviation Fuel Applications!

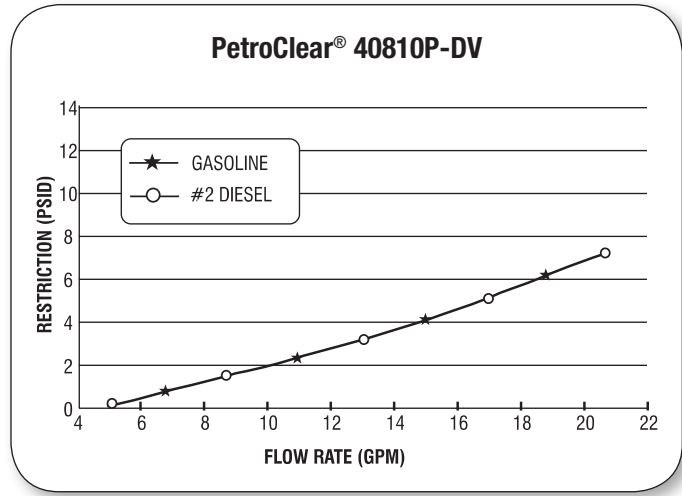
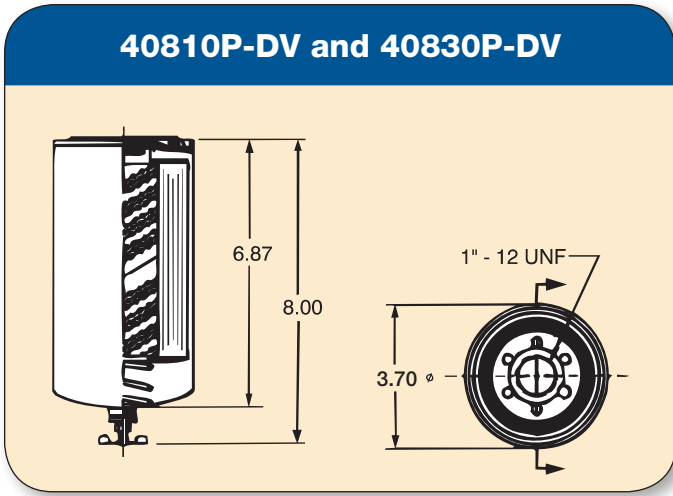
Specifications

- The PetroClear® model 40810P-DV utilizes a 10 micron (nominal) cellulose media to remove particulate from gasolines and diesel fuels including all Ethanol blended gasoline, Biodiesel and ULSD (Ultra Low Sulfur Diesel). Removes particulate 10 microns (nominal) or larger.
- The PetroClear® model 40830P-DV utilizes a 30 micron (nominal) cellulose media to remove particulate from gasolines and diesel fuels including all Ethanol blended gasolines, Biodiesel and ULSD (Ultra Low Sulfur Diesel). Removes particulate 30 microns (nominal) or larger.
- The maximum flow rate for PetroClear® models 40810P-DV and 40830P-DV is 25 gpm (94.6 lpm). Maximum operating pressure is 50 psid (3.4 bar). Collapse pressure is 150 psid (10.3 bar). Maximum operating temperature is 250°F (139°C).
- PetroClear® models 40810P-DV and 40830P-DV utilize a standard 1"-12 UNF mounting thread ref. (3/4" flow) required for most spin-on filter Adapters used in aftermarket.
- PetroClear® models 40810P-DV and 40830P-DV utilize a petcock type drain valve located in the bottom of the filter for convenient drainage of collected water.
- Models 40810P-DV and 40830P-DV utilize a silicone treated media designed for applications where excessive water contamination in fuel can be dispensed and passed into consumers' vehicles.
- Adapters are available for models 40810P-DV and 40830P-DV in aluminum and cast iron. These Adapters are available in both NPT and BSP inlet/outlet threads. Inlet/outlet sizes are available in 3/4" and 1" single Adapters.

NOTE: If you experience frequent filter changes, it is recommended that you have fuel samples analyzed to determine the source of contamination, such as water, dirt, rust, bacteria, phase separation, etc.

40810P-DV and 40830P-DV

With Petcock Type Drain Valve



Model	40810P-DV	40830P-DV
Filter Type	Spin-On	Spin-On
Media Type	*Cellulose with Silicone Treated	*Cellulose with Silicone Treated
Micron Rating	10 Micron (nominal)	30 Micron (nominal)
Diameter	3.70"	3.70"
Height	6.87"	6.87"
Mounting Thread	1" – 12 UNF	1" – 12 UNF
Flow Rate	25 gpm (94.6 lpm)	25 gpm (94.6 lpm)
Flow	3/4" flow	3/4" flow
Shell Thickness	0.020	0.020
Gasket Material	Buna N	Buna N
Collapse (Min.)	150 psid (10.3 bar)	150 psid (10.3 bar)
Burst (Min.)	250 psi (17.2 bar)	250 psi (17.2 bar)
Max. Operating Temp.	250°F (139°C)	250°F (139°C)

*Silicone Treated & Particulate Removing

Adapters Available	Catalog	Description
	0.75 N1-12	3/4" NPT Inlet/Outlet Ports, 1" – 12 UNF (cast iron)
	0.75 N1-12A	3/4" NPT Inlet/Outlet Ports, 1" – 12 UNF (aluminum)
	1.00 N1-12	1" NPT Inlet/Outlet Ports, 1" – 12 UNF (cast iron)
	1.00 N1-12A	1" NPT Inlet/Outlet Ports, 1" – 12 UNF (aluminum)
	0.75 B1-12	3/4" BSP Inlet/Outlet Ports, 1" – 12 UNF (aluminum)
	1.00 B1-12	1" BSP Inlet/Outlet Ports, 1" – 12 UNF (aluminum)