

405 Series

Particulate Removing



FOR DISPOSAL INFORMATION PLEASE CONTACT YOUR NEAREST EPA OFFICE.

Specifications

- The PetroClear® model 40502P utilizes a 2 micron (nominal) cellulose media to remove particulate from gasolines and diesel fuels including all Ethanol blended gasolines, Biodiesel and ULSD (Ultra Low Sulfur Diesel). Removes particulate 2 microns (nominal) or larger.
- The PetroClear® model 40505P utilizes a 5 micron (nominal) cellulose media to remove particulate from gasolines and diesel fuels including all Ethanol blended gasolines, Biodiesel and ULSD (Ultra Low Sulfur Diesel). Removes particulate 5 microns (nominal) or larger.
- The PetroClear® model 40510P utilizes a 10 micron (nominal) cellulose media to remove particulate from gasolines and diesel fuels including all Ethanol blended gasolines, Biodiesel and ULSD (Ultra Low Sulfur Diesel). Removes particulate 10 microns (nominal) or larger.
- The PetroClear® model 40530P utilizes a 30 micron (nominal) cellulose media to remove particulate from gasolines and diesel fuels including all Ethanol blended gasolines, Biodiesel and ULSD (Ultra Low Sulfur Diesel). Removes particulate 30 microns (nominal) or larger.
- The maximum flow rate for PetroClear® models 40502P, 40505P, 40510P and 40530P is 25 gpm (94.6 lpm). Maximum operating pressure is 50 psid (3.4 bar). Collapse pressure is 150 psid (10.3 bar). Maximum operating temperature is 250°F (139°C).
- PetroClear® models 40502P, 40505P, 40510P and 40530P utilize a standard 1"-12 UNF mounting thread ref. (3/4" flow) required for most spin-on filter Adapters used in Gilbarco, Wayne, Bennet, Tokheim and other major manufacturers' dispensers, as well as with Adapters used in the aftermarket.
- Adapters are available for models 40502P, 40505P, 40510P and 40530P in aluminum and cast iron. These single Adapters are available in 3/4" and 1" NPT or BSP inlet/outlet threads.

Benefits

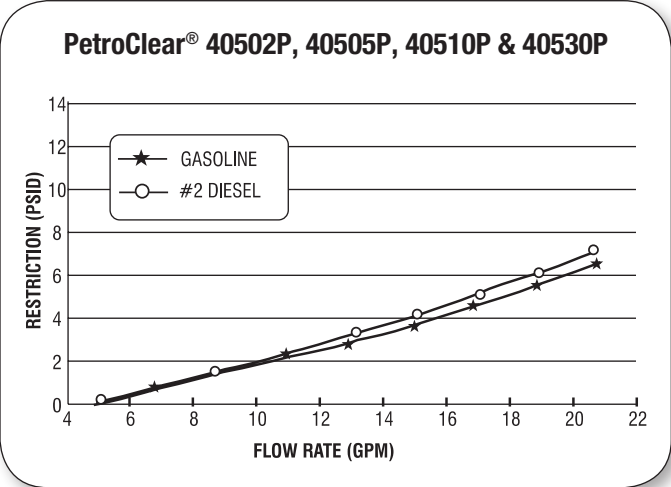
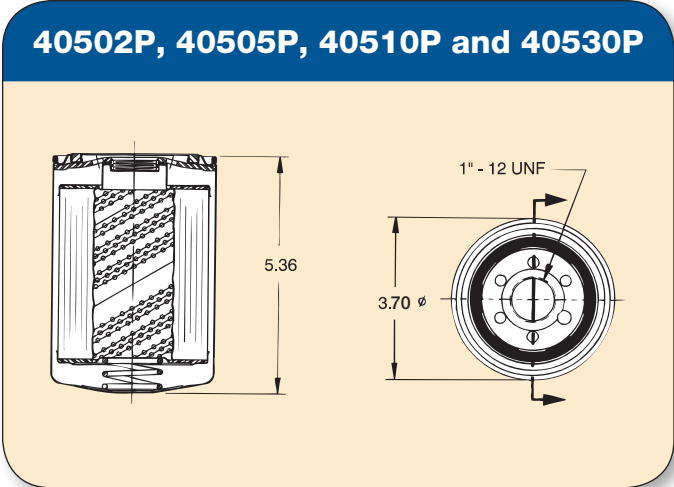
- PetroClear® models 40502P, 40505P, 40510P and 40530P are particulate removing spin-on filters designed to remove particulate from neat gasoline, Ethanol blended gasolines, diesels, Biodiesel, ULSD (Ultra Low Sulfur Diesel), kerosene and fuel oils.
- PetroClear® models 40502P, 40505P, 40510P and 40530P are particulate spin-on filters. These filters are designed for particulate removal only and WILL NOT REACT TO WATER IN FUELS OR PHASE SEPARATION IN ETHANOL BLENDED GASOLINES TO SLOW FLOW.
- PetroClear® model 40502P filter offers efficient 2 micron (nominal) particulate removal.
- PetroClear® model 40505P filter offers efficient 5 micron (nominal) particulate removal.
- PetroClear® model 40510P filter offers efficient 10 micron (nominal) particulate removal.
- PetroClear® model 40530P filter offers efficient 30 micron (nominal) particulate removal.
- Textured paint coating helps ensure a simple, mess-free installation and removal process.
- UL® recognized

PetroClear® Filters are NOT to be used in Aviation Fuel Applications!

NOTE: If you experience frequent filter changes, it is recommended that you have fuel samples analyzed to determine the source of contamination, such as water, dirt, rust, bacteria, phase separation, etc.

40502P, 40505P, 40510P and 40530P

For Fuel Dispensers



Model	40502P	40505P	40510P	40530P
Filter Type	Spin-On	Spin-On	Spin-On	Spin-On
Media Type	*Cellulose	* Cellulose	* Cellulose	* Cellulose
Micron Rating	2 Micron (nominal)	5 Micron (nominal)	10 Micron (nominal)	30 Micron (nominal)
Diameter	3.70"	3.70"	3.70"	3.70"
Height	5.36"	5.36"	5.36"	5.36"
Mounting Thread	1" – 12 UNF	1" – 12 UNF	1" – 12 UNF	1" – 12 UNF
Flow Rate	25 gpm (94.6 lpm)	25 gpm (94.6 lpm)	25 gpm (94.6 lpm)	25 gpm (94.6 lpm)
Flow	3/4" flow	3/4" flow	3/4" flow	3/4" flow
Shell Thickness	0.020	0.020	0.020	0.020
Gasket Material	Buna N	Buna N	Buna N	Buna N
Collapse (Min.)	150 psid (10.3 bar)	150 psid (10.3 bar)	150 psid (10.3 bar)	150 psid (10.3 bar)
Burst (Min.)	250 psi (17.2 bar)	250 psi (17.2 bar)	250 psi (17.2 bar)	250 psi (17.2 bar)
Max. Operating Temp.	250°F (139°C)	250°F (139°C)	250°F (139°C)	250°F (139°C)

*Particulate Removing

Adapters Available	Catalog	Description
0.75 N1-12	0.75 N1-12	3/4" NPT Inlet/Outlet Ports, 1" – 12 UNF (cast iron)
0.75 N1-12A	0.75 N1-12A	3/4" NPT Inlet/Outlet Ports, 1" – 12 UNF (aluminum)
1.00 N1-12	1.00 N1-12	1" NPT Inlet/Outlet Ports, 1" – 12 UNF (cast iron)
1.00 N1-12A	1.00 N1-12A	1" NPT Inlet/Outlet Ports, 1" – 12 UNF (aluminum)
0.75 B1-12	0.75 B1-12	3/4" BSP Inlet/Outlet Ports, 1" – 12 UNF (aluminum)
1.00 B1-12	1.00 B1-12	1" BSP Inlet/Outlet Ports, 1" – 12 UNF (aluminum)